



Technical Data Sheet

ODX-ACE31

- Group 31 with SS 3/8 inch threaded stud terminals and single external vent
- Absorbed Glass Mat (AGM) with Thin Plate Pure Lead (TPPL)
- Advanced dual purpose battery for engine start and deep cycle use
- Contains ODYSSEY Connect battery monitoring system technology

Handling and Storage

- Can be mounted or stored in any orientation except inverted
- 2-years storage life at 77°F (25°C) without needing to charge. Recharge when the OCV is <12.2V (50% SOC).
- Classified as non-spillable and approved as non-hazardous cargo for ground, sea and air transportation in accordance with the requirements of IMDG (International Maritime code for Dangerous Goods) and ICAO (International Civil Aviation Organisation)

Charging and Self-Discharge

| | |
|--|---------------------|
| Cyclic Charge Voltage | 14.4 - 14.8V @ 25°C |
| Float Charge Voltage | 13.5 - 13.8V @ 25°C |
| Charger voltage at 68°F (20°C) | 14.4V to 14.8V |
| Self-discharge per month at 68°F (20°C) | 1.25% |
| Self-discharge per month at 104°F (40°C) | 5% |
| 80% depth of discharge cycles | 400 |

Accreditations

The management systems governing the manufacture of this product are ISO 9001 and ISO 14001 certified.

*Cold Start Performance S.A.E J537 Apr 2016

Power and Performance

| | |
|---|-----------------------|
| Voltage | 12V |
| Pulse (5 second) Hot Cranking Amps (PHCA) | 2150A |
| Cold Cranking Amps (CCA) | 1150A |
| HCA | 1545A |
| MCA | 1370A |
| 20Hr Nominal Capacity (Ah) | 103Ah |
| 10Hr Nominal Capacity (Ah) | 98Ah |
| Reserve Capacity Minutes | 220 mins |
| Terminal | 3/8-16" Stud |
| Torque Spec in-lbs (Nm max) | 200 (22.6) studs only |
| Internal Resistance (mΩ) | 2.2 mΩ |
| Short Circuit (A) | 5000A |
| Recommended Min. Charging Current (A) | 9.8A |

Dimensions and Weight

| | |
|-----------------------------|--------------------|
| Length | 13 in / 330 mm |
| Width | 6.8 in / 173 mm |
| Height (terminals included) | 9.5 in / 241 mm |
| Height (container) | 8.5 in / 216 mm |
| Weight | 77.8 lbs / 35.3 kg |

[See Line Drawing on next page](#)

Temperature

| | |
|-----------------------------|--------------------------------|
| Operating temperature range | -40°F / -40°C to 176°F / +80°C |
| Optimum storage temperature | 68°F / +20°C |

Technical Data Sheet correct at time of exporting PDF. Please check website for updates.



EnerSys World Headquarters
2366 Bernville Road
Reading, PA 19605, USA
Tel: +1-800-964-2837

EnerSys EMEA
EH Europe GmbH
Baarerstrasse 18
6300 Zug, Switzerland

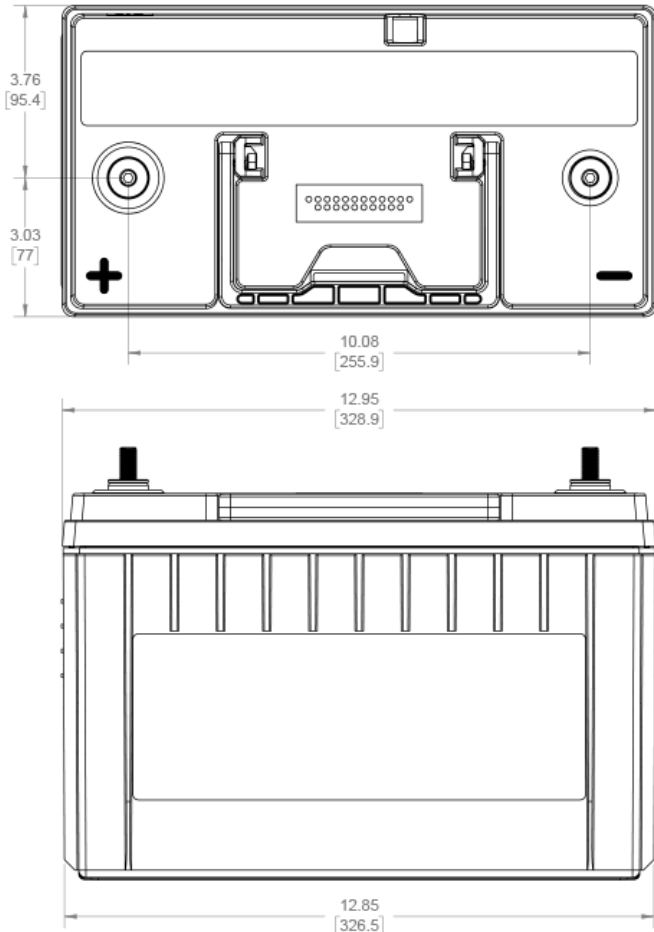
EnerSys Asia
No. 85, Tuas Avenue 1
Singapore 639518
Tel: +65 6558 7333

Want more info?
Scan code to access
the ODYSSEY[®] Battery
Literature Library

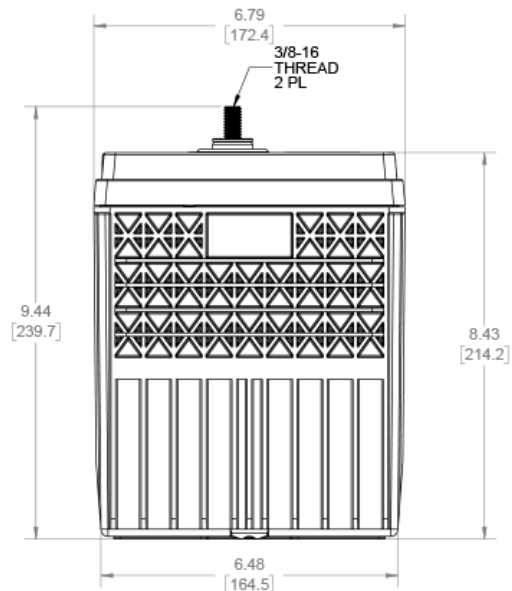


ODX-ACE31

Line Drawing



ODX-AGM31 LEFT POSITIVE STUD TERMINALS



ODYSSEY batteries – AGM² Thin Plate Pure Lead (TPPL) Technology

ODYSSEY[®] AGM² Thin Plate Pure Lead (TPPL) batteries feature 99% pure lead plates that are extremely thin, so more of them fit into the battery. More plates mean more power – ODYSSEY AGM² TPPL batteries deliver twice the power and three times the service life of any other conventional battery, outperforming standard AGM or SLI (flooded) batteries in terms of power density, fast-charge acceptance, shelf life, durability and most important – value for your money.

Technical Data Sheet correct at time of exporting PDF. Please check website for updates.



EnerSys World Headquarters
 2366 Bernville Road
 Reading, PA 19605, USA
 Tel: +1-800-964-2837

EnerSys EMEA
 EH Europe GmbH
 Baarerstrasse 18
 6300 Zug, Switzerland

EnerSys Asia
 No. 85, Tuas Avenue 1
 Singapore 639518
 Tel: +65 6558 7333

Want more info?
 Scan code to access
 the ODYSSEY[®] Battery
 Literature Library

